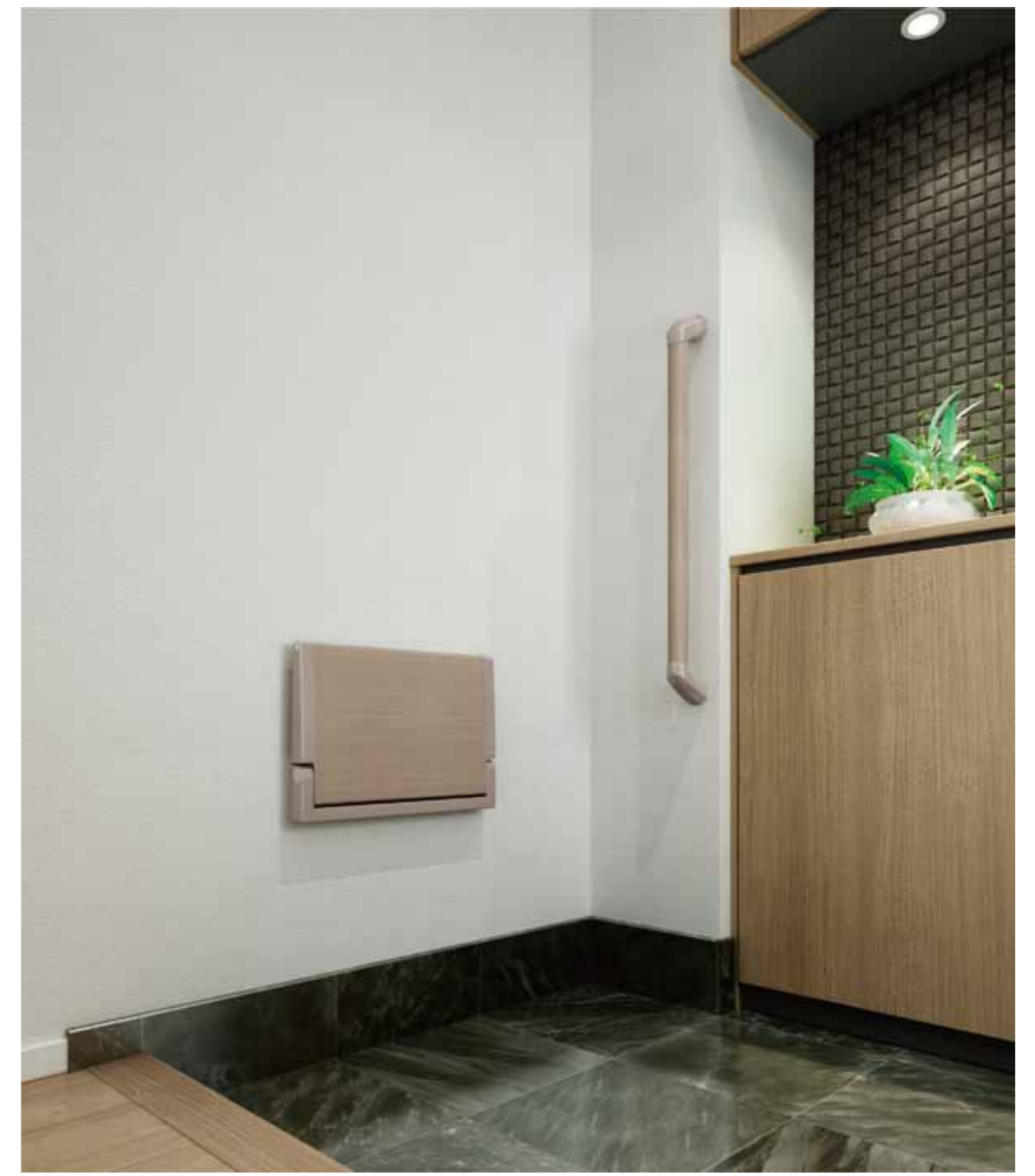


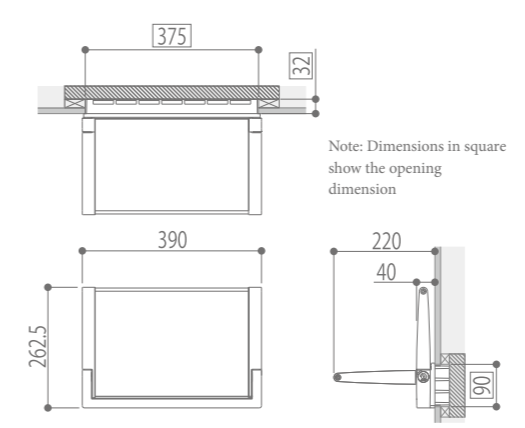
# OLISU

Folding Seats for Entrance Hall



## Type A Embedded Type

Space-saving fold seats embedded on the wall.  
Durable and visually attractive.



Body	Material	Aluminium
	Finishing	Acrylic urethane resin painting
Seat	Material	Front Melamine decorative board (white)
		Back Woodgrain decorative sheet

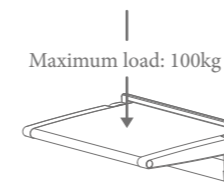
※The picture shows NHE0000-01-R.



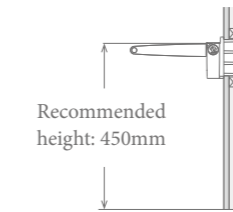
Durable space-saving seats

## Folding seats with torque hinge structure

With torque hinge structure, this folding seat open slowly when opening, close smoothly when closing, and does not open when being stored.



The whole body and its mount, made of aluminium, are integrally moulded and super durable.



Install the seat wherever you like



Have a seat!

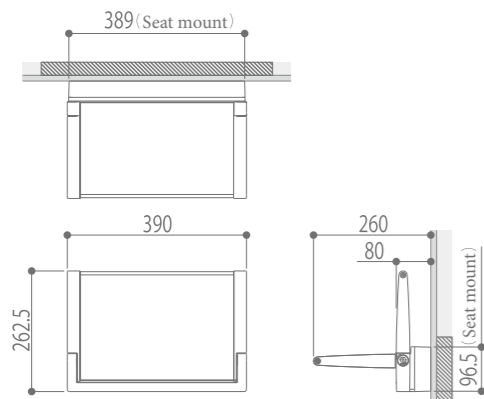


No need to bend down to put on and take off your shoes

## Type B

Attached Type

Space-saving fold seats attached on the wall. Durable and visually attractive. The seat is attached to any wall by using a mount (NB: Make sure to check the wall durability).



Body	Material	Aluminium
Seat mount	Finishing	Acrylic urethane resin painting
Seat	Material	Front Melamine decorative board (white)
		Back Woodgrain decorative sheet

※ The picture shows NHE0000-02-NA.



White



Natural



Brown

Ask us when you would like to customise the colour of the back of seat.

Type A: Embedded Type

NHE0001-01-WH	White
NHE0001-01-NA	Natural
NHE0001-01-BR	Brown

Type B: Attached Type

NHE0001-02-WH	White
NHE0001-02-NA	Natural
NHE0001-02-BR	Brown

⚠ Before attaching this product on the wall, examine an adequate degree of wall durability.